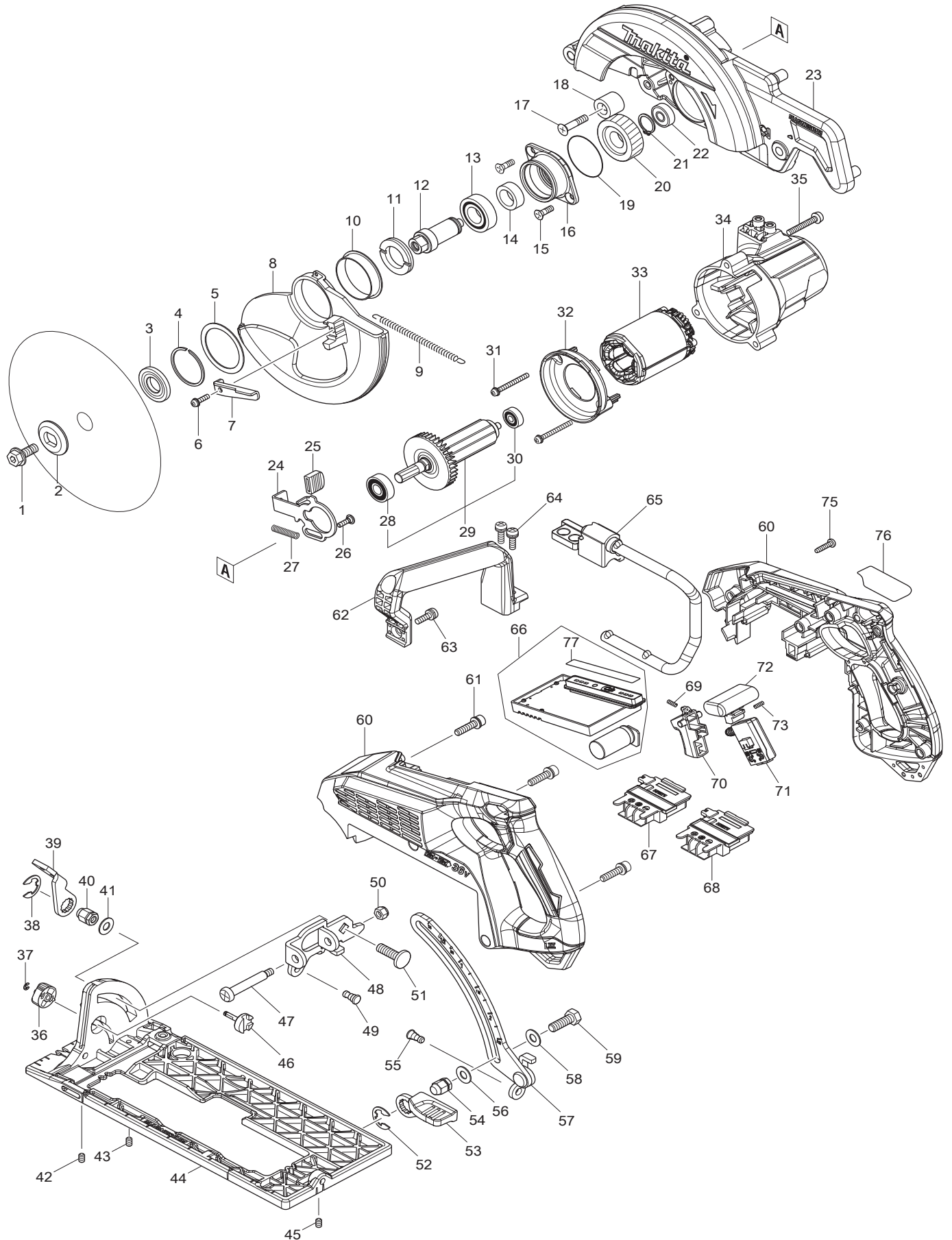




02 - 2017
DRS780Z / DRS780PT21
18Vx2 (36V) LXT 7-1/4" Rear Handle Saw



PARTS LIST

Item No	Type	Part No	Description	Qty	Unit
001		266400-6	HSH BOLT M8X20	1	PC.
002		224409-4	OUTER FLANGE 35	1	PC.
003	2	224594-3	INNER FLANGE 35	1	PC.
004		257423-5	RETAINING RING EXT WR-42	1	PC.
005		253393-6	FLAT WASHER 42	1	PC.
006		911128-8	PH SCREW M4X16 W/WR	1	PC.
007		271435-4	LEVER 48	1	PC.
008		319543-4	SAFETY COVER	1	PC.
009		232371-9	TENSION SPRING 5	1	PC.
010		457434-2	SPACER	1	PC.
011		285809-3	BEARING RETAINER 23-36	1	PC.
012		326941-5	SPINDLE	1	PC.
013		211251-2	BALL BEARING 6003LLB	1	PC.
014		257024-9	RING 17	1	PC.
015		265034-2	+ COUNTERSUNK HEAD SCREW M5X16	2	PC.
016		319544-2	BEARING BOX	1	PC.
017		251572-0	+ COUNTERSUNK HEAD SCREW M6X30	1	PC.
018		262185-2	RUBBER SLEEVE 8	1	PC.
019		213565-5	O RING 42	1	PC.
020		221542-3	HELICAL GEAR 37	1	PC.
021		961057-5	RETAINING RING S-17	1	PC.
022		210029-0	BALL BEARING 608ZZ	1	PC.
023	2	140F75-4	BLADE CASE COMPLETE	1	PC.
023	2	INC. 213434-0	O RING 26	1	PC.
024		347168-4	SHAFT LOCK	1	PC.
025		286039-9	CAP	1	PC.
026		251529-1	+ PAN HEAD SCREW M4X14	1	PC.
027		232381-6	COMPRESSION SPRING 6	1	PC.
028		210059-1	BALL BEARING 6000DDW	1	PC.
029		519435-9	ROTOR ASSY	1	PC.
029	INC.		Item No. 28,30		
030		210022-4	BALL BEARING 626DDW	1	PC.
031		911566-4	PAN HEAD SCREW M4X40 W/WRM	2	PC.
032		457430-0	BAFFLE PLATE	1	PC.
033	1	629259-6	* STATOR	1	PC.
033	2	629B68-5	* STATOR	1	PC.
034		144467-3	MOTOR HOUSING COMPLETE	1	PC.
034	INC.	263002-9	RUBBER PIN 4	1	PC.

Item No	Type	Part No	Description	Qty	Unit
035		911258-5	PAN HEAD SCREW M5X35	3	PC.
036		457963-5	DIAL 22	1	PC.
037		961017-7	STOP RING E-3	1	PC.
038		257953-6	BOW STOP RING E-12	1	PC.
039		271434-6	LEVER 56	1	PC.
040		252240-8	HEX CAP NUT M8-13	1	PC.
041		941201-0	FLAT WASHER 8	1	PC.
042		266229-0	HSH SET SCREW CUP POINT M5X8	1	PC.
043		266229-0	HSH SET SCREW CUP POINT M5X8	1	PC.
044		319542-6	BASE	1	PC.
045		266229-0	HSH SET SCREW CUP POINT M5X8	1	PC.
046		324699-0	STOPPER PIN	1	PC.
047		251221-9	+ PAN HEAD SCREW M6	1	PC.
048		347169-2	ANGULAR GUIDE	1	PC.
049		256511-5	SHOULDER PIN 6-7	1	PC.
050		252014-7	HEX LOCK NUT M6-10	1	PC.
051		251537-2	FLAT HEAD SQUARE NECK BOLT M8X28	1	PC.
052		257953-6	BOW STOP RING E-12	1	PC.
053		271433-8	LEVER 59	1	PC.
054		252240-8	HEX CAP NUT M8-13	1	PC.
055		256511-5	SHOULDER PIN 6-7	1	PC.
056		941201-0	FLAT WASHER 8	1	PC.
057		161604-4	DEPTH GUIDE	1	PC.
058		941201-0	FLAT WASHER 8	1	PC.
059		251538-0	HEX BOLT M8X24	1	PC.
060		183G64-2	HANDLE SET	1	SET
060	INC.	812E23-4	CAUTION LABEL	1	PC.
060	INC.	812E24-2	CAUTION LABEL	1	PC.
060	INC.	263005-3	RUBBER PIN 6	4	PC.
061		922343-9	HSH BOLT M6X25 W/WR	3	PC.
062		457433-4	GRIP	1	PC.
063		911228-4	PAN HEAD SCREW M5X18	1	PC.
064		911228-4	PAN HEAD SCREW M5X18	2	PC.
065	2	127074-7	HOOK ASSEMBLY	1	PC.
066	4	136768-3	* CONTROLLER ASSY	1	PC.
066	4	INC.	* Item No. 77		
067		643874-2	TERMINAL	1	PC.
068		643874-2	TERMINAL	1	PC.
069		231433-0	COMPRESSION SPRING 4	1	PC.

Item No	Type	Part No	Description	Qty	Unit
070		457432-6	SWITCH LEVER	1	PC.
071		651083-9	SWITCH, C3XA-1PSPM	1	PC.
072		457431-8	LOCK OFF BUTTON	1	PC.
073		231433-0	COMPRESSION SPRING 4	1	PC.
075		265995-6	TAPPING SCREW M4X18	8	PC.
076		853B40-7	NAME PLATE F/DRS780	1	PC.
077		812G25-2	INDICATION LABEL	1	PC.
078		620K74-7	* CONTROLLER B	1	PC.
079		652119-7	* PH SCREW M2X6	6	PC.
A01		-----	7-1/4" CIRCULAR SAW BLADES		
A02		782016-4	OFFSET WRENCH 13	1	PC.
A03	3	199249-8	RIP FENCE SET (GUIDE RULE)	1	PC.
A03	3	INC. 165153-3	RIP FENCE (GUIDE RULE)	1	PC.
A03	3	INC. 251887-5	SCREW M6X10	1	PC.
A05		-----	18V LI-ION BATTERY		
A06		-----	BATTERY CHARGER		
A07		-----	WORK GLOVES		
C01		825U33-8	CARTON F/DRS780Z	1	PC.
C02		8067A8-9	CARTON LABEL F/DRS780Z	1	PC.
E01		286042-0	CAP 31	1	PC.

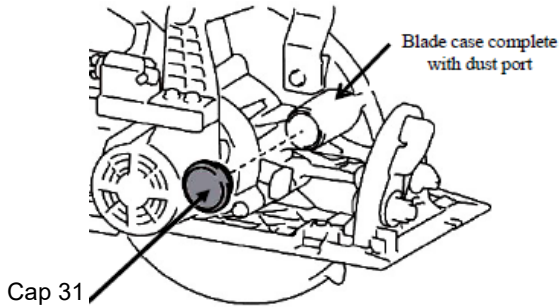
SERVICE CHANGES

1. Changes on Blade case complete, Addition of Cap 31

(TI# C8343)

Item No.	Description	Type 1	Type 2
23	Blade Case Com.	144466-5	140F75-4
E01	Cap 31	-	286042-0

Above parts are completely interchangeable as a set.



2. Changes on Stator and Controller etc., Elimination of Insulated Connector 5.5-SD

(T/I#DF954)

Item No.	Description	Type 1	Type 2
33	STATOR	629259-6	629B68-5
66	CONTROLLER ASSY	135972-1	136768-3
78	CONTROLLER B	-----	620K74-7
79	PAN HEAD SCREW M2X6	-----	652119-7
---	INSULATED CONNECTOR 5.5-SD	654510-5	-----

Above parts are completely interchangeable as a set.

See T/I#DF954 for repair and wiring